



Model No. 34x24 TS G
Instant Recovery® Fryer

PROJECT _____

QUANTITY _____

ITEM NO. _____

Standard Features:

- ▶ 201,000 BTU input for cooking up to 270 lbs. of frozen french fries per hour
- ▶ Instant Recovery® using less energy with more efficient, patented Wing Turbulators®
- ▶ Stainless Steel cabinet
- ▶ Polished Stainless Steel fryer vessel
- ▶ Extra large Cold Zone
- ▶ Saves on oil costs/cooks at lower temperatures
- ▶ Indicating lights and switches
- ▶ Melt cycle allows safe method of melting solid shortening

Options:

- Battery
- Common Manifold
- Rear Drain
- Casters
- Thermostat Seal
- Portable Filter, Central Filter (CF34x24SE), Safe & Easy Filter®
- Security Package
- Cover

The 34x24 TS Fryer is ideal for multi-product use. The 34x24 TS allows you to cook up to 270 lbs. of frozen french fries or 300 lbs. of chicken per hour with an input of 201,000 BTU.

Keating saves oil costs in three ways:

- BETTER FRY POT DESIGN
- LARGER COLD ZONE
- INSTANT RECOVERY®

1. You shouldn't have to wait on the fryer. A properly designed fry pot ensures that the fryer has recovered its temperature before the end of the cooking cycle. Keating "INSTANT RECOVERY"® means continuous performance.
2. The Keating frying vessel is 27% Cold Zone, the food particles collected in the cold zone are unheated and therefore do not carbonize and contribute to premature shortening breakdown.
3. Keating's "INSTANT RECOVERY"® feature means frying at lower temperatures (325° – 335°F) extending oil life while enhancing product quality.



Intertek
9902091



Intertek
9902091



As continuous product improvement occurs, specifications may be changed without notice.



Casters Optional

• **Oil Capacity - 195 lbs.**

Easy to clean

Keating uses only 304 stainless steel in its frying vessel design and polishes each vessel. The smoother the surface, the less carbon build-up occurs, making cleaning easier. Two 1-1/4" front drains allow easy draining of oil.

Safety controls ensure safe and accurate cooking. The patented and precise thermostat controls cooking temperatures to ± 3°F.

Hi-Limit control protects against the oil and fryer overheating.

Each fryer goes through a rigorous 100% test before shipping with every component carefully checked. The actual temperature test chart is included with each fryer.

Special Order Options

Keating gives you the widest range of options to ensure your fryer is exactly suited to your needs.

DATE _____

APPROVAL _____

SIGNATURE _____

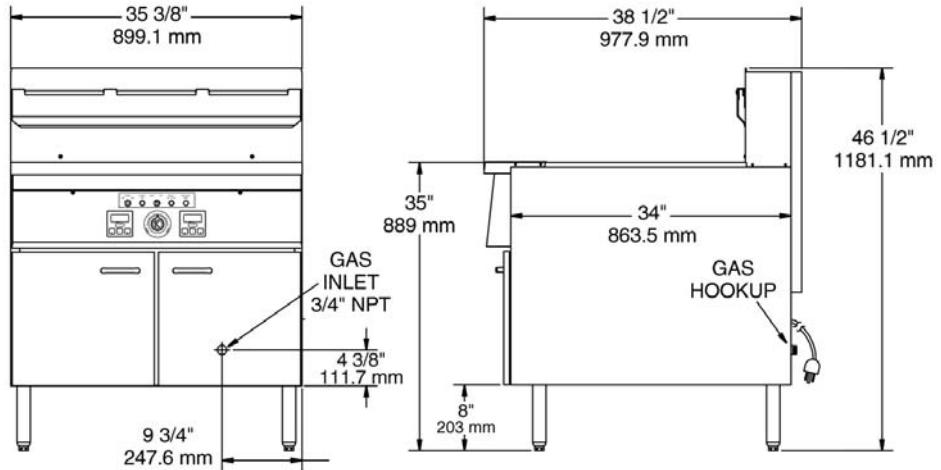
www.keatingofchicago.com

34X24 TS Gas Instant Recovery® Fryer



Model No. 34x24 TS G Instant Recovery® Fryer

A minimum of 24" at the front of the unit should be allowed for servicing and operation; a minimum of 6" on each side and at the rear of each unit for combustible materials.



SPECIFICATIONS

Fryer Vessel - 18 gauge stainless steel, with a shortening capacity of 195 pounds. Equipped with six 18 gauge stainless steel, 3" wide x 5" high horizontal heat transfer tubes, spaced above the bottom of the vessel so that the bottom is unheated and the food particles collecting in the bottom zone are unheated and therefore do not carbonize. The vessel is polished to inhibit carbon buildup and facilitate easy clean-up. The bottom of the vessel slopes toward the front, and is equipped with two 1-1/4" Teflon core 1/4 turn drain valves, so the shortening can be drained into a receiving vessel placed in front of the fryer.

Splashdeck - 16 gauge, 304 stainless steel. It slopes toward the shortening containing vessel.

Splashback - 18 gauge, 304 stainless steel. It completely covers the side of the flue.

Cabinet - 18 gauge stainless steel. Rigid in construction, with four 8" adjustable legs. The cabinet door is made of 22 gauge 304 stainless steel. The door covers the front of the cabinet from the bottom of the fryer to the fryer panel, and the full width of the cabinet. Above the panel is a canopy. No additional space is required for the door to open a full 90 degrees. A stainless steel flue deflector is provided for installing onto the flue back.

Heat Transfer Tubes - Six heat transfer tubes, made of stainless steel polished to a #7 mirror finish.

Thermostat - Close range, hydraulic type, is accurate to ±3°F from 300° to 350°F with stainless steel bulb. Application of this thermostat is patented by Keating.

Hi-Limit Control - Manually resettable type with stainless steel bulb.

100% Safety Shut-Off - Flame switch type with dual combination control gas valve.

Melt Cycle - Standard on "TS" fryers, allowing the safe melting of solid shortening. Fryer is to be left in the Melt Cycle mode until oil completely covers heat transfer tubes.

Indicating Lights & Switches - Power on switch, power on light, pilot switch, pilot on light, fry off melt switch.

Standard Accessories - Includes two timers (programmable for three products each), one pair split size 4 mesh baskets, grid screen over heat transfer tubes, drain clean out rod and sample of Keating Klenzer.

Electrical Requirements - 120V 1 amp, cord with 3 prong plug provided.

Gas Requirements - Install a 3/4" male NPT connection and 4" water column pressure (natural gas) and 10" (LP) at the fryer burner manifold. Supply pressure to fryers must be 7" (natural gas) and 11" (LP) water column.

Special Order Options may include battery, common manifold, rear drain, casters, cover, thermostat seal, portable filter, central filter (CF34 x24SE), Safe & Easy Filter® and security package.

INSTALLER - Check plumbing and gas codes for proper gas supply line sizing to sustain burner pressure when all gas appliances are full on. Supply pressure must NOT be above 13.84" WC or gas valve damage may occur.

GAS REQUIREMENTS / DIMENSIONS*

MODEL	BTU Input	Height	Depth	Width	Weight
34x24 TS Natural Gas	201,000	46 1/2"	38 1/2"	35 3/8"	512 lbs.
34x24 TS LP Gas	198,000	46 1/2"	38 1/2"	35 3/8"	512 lbs.

* Dimensions for Model 34x24 TS G Safe & Easy: Height, 46 1/2", Depth 42 5/8" and Width 35 3/8". Weight is N/A. As continuous product improvement occurs, specifications may be changed without notice.

www.keatingofchicago.com

34x24 TS Gas Instant Recovery® Fryer