

SERVICE INSTRUCTIONS

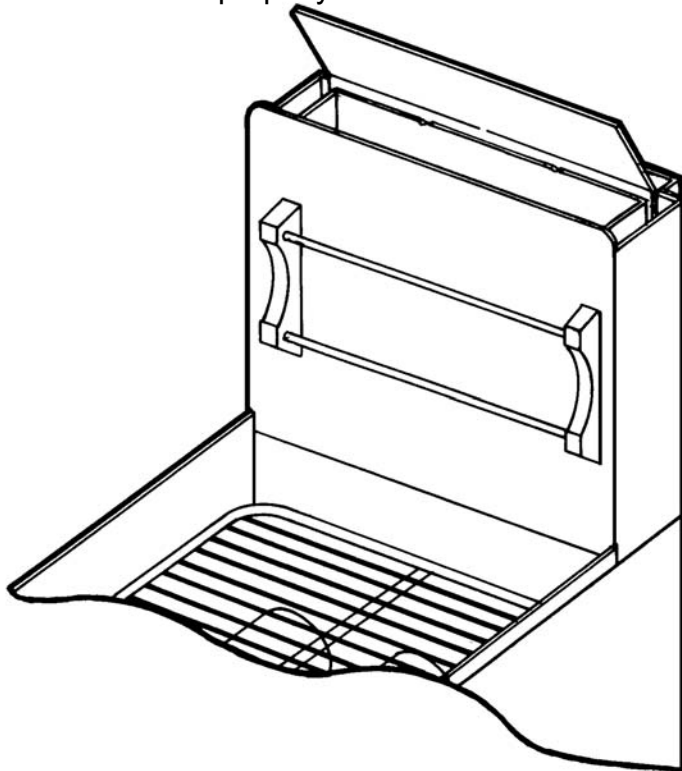
www.keatingofchicago.com

KEATING
OF CHICAGO, INC. ®

1-800-KEATING

FRYER FLUE DEFLECTOR INSTALLATION

A Keating flue deflector, when properly installed, will allow the exhaust hood over the fryer to work more efficiently. Please follow the instructions listed below to ensure that the deflector is installed properly.



1. Locate the rear cabinet wall of the fryer and note the rib which runs across it from left to right.

NOTE: On TS fryers, there will be a cabinet extension behind the rear cabinet wall. Do not mount the flue deflector onto this extension.

2. Place the deflector onto rear cabinet wall with the bent portion facing forward and the clip behind the wall as shown in the illustration.

NOTE: Do not place the deflector onto the flue.

3. Press the deflector down as you move it in line with the cabinet wall. Continue pressing until the deflector clip locks into place.

