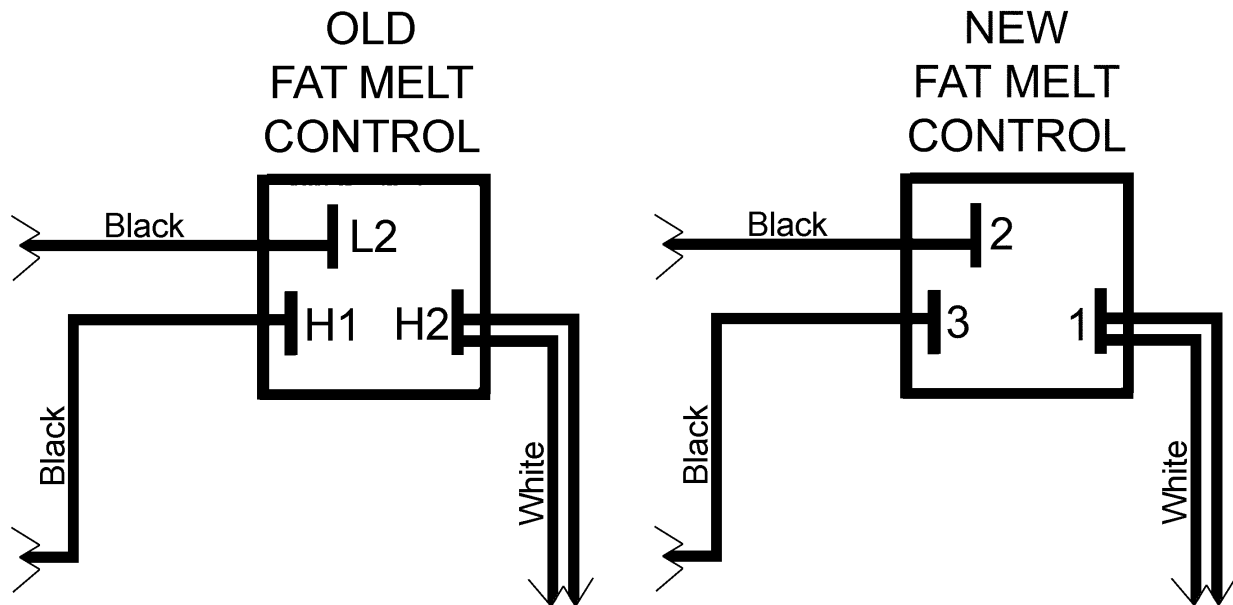


FAT MELT CONTROL Replacement Instructions

Part # 037890 (replaces part # 004343)



- Mount the Fat Melt Control by using the existing mounting hardware.
- Wire the new Fat Melt Control as shown above (Note: The change in the terminal designations: L2 =2, H1=3, H2=1)